



PANTHER EAST

AES RAPTOR ALL-IN-ONE™

Completely Adaptable Roofing Base

Spec Data Sheet

DIMENSIONS:

LENGTH	10"
WIDTH	7"
HEIGHT	62"

WEIGHT 25 Pounds (each)

COMPATIBILITY -RaptorRail™ reusable horizontal rails
-Lumber rails

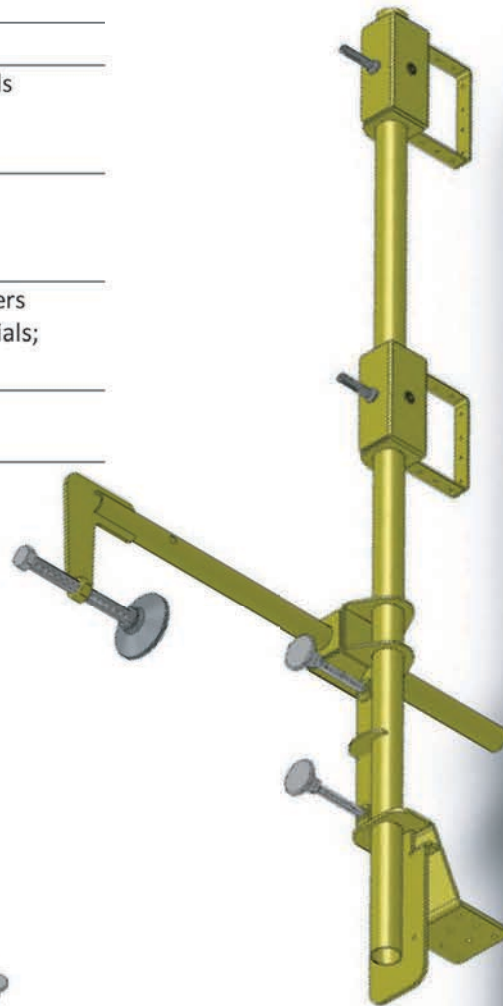
FASTENERS 1.5" #14 Screws

WARRANTY Manufacturers limited warranty covers any defect in workmanship or materials; One year form date of purchase

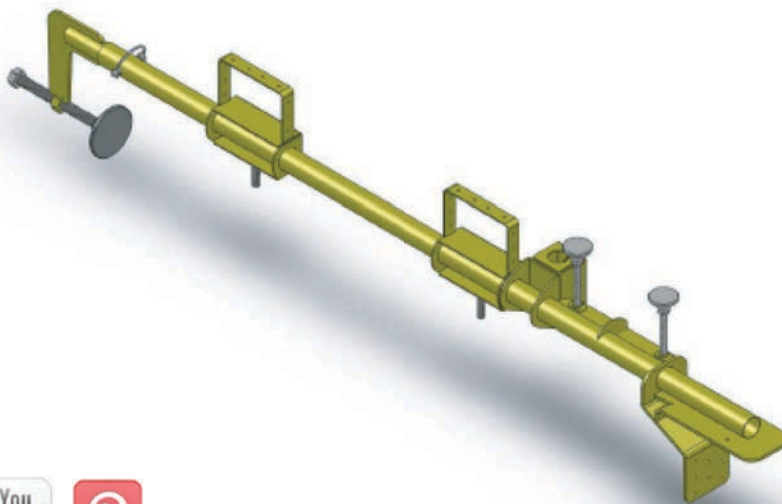
FALL PROTECTION STANDARDS 1926.502 (B) GuardRail Systems

PART NO. RB-03

Assembled:



Stored:



800-620-7928



AES RAPTOR ALL-IN-ONE™

Completely Adaptable Roofing Base

PANTHER EAST

*Includes pegs for reusable
RaptorRail™ horizontal rails*

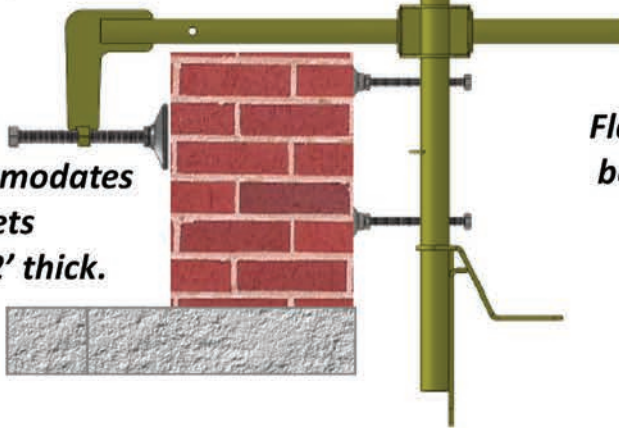
Accepts horizontal wood rail

Adjustable height brackets

*Brackets swivel 180 degrees
for parapet, flat edge*

Parapet clamp attachment

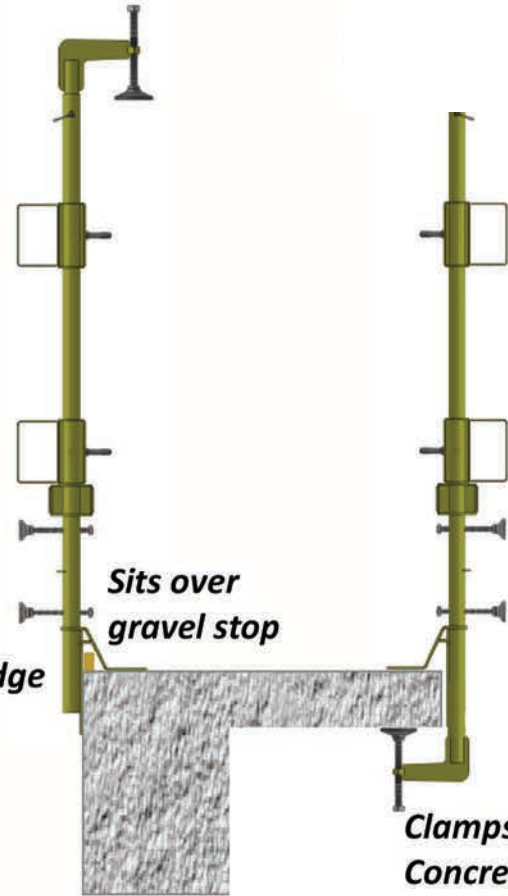
*Accommodates
parapets
up to 2' thick.*



*Flat edge
base*

*Sits over
gravel stop*

*Clamps to
Concrete slab
overhangs*



*Attachment stores
compactly inside*



800-620-7928