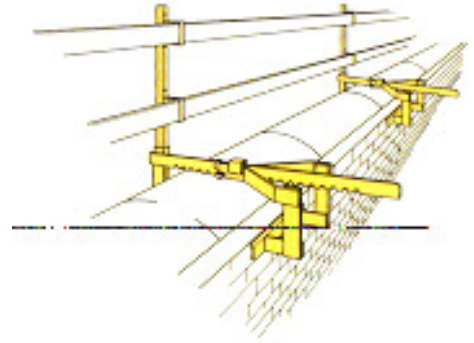


Acro Building Systems
Parapet Wall Clamp Guardrail System User Guide
Model #12090 – Parapet Guardrail



Refer Question to
info@acrobuildingsystems.com
800-267-3807
www.acrobuildingsystems.com

Warning: Failure to follow instructions for the use of this product can result in serious personal injury.

12090 Parapet Guardrail System Instructions:

General: 1) Always erect and use in accordance with local, state and federal OSHA regulations. 2) Not an anchor point. 3) Roofing guardrails are meant for use by experienced tradesmen having full knowledge in its use. 4) OSHA regulations require that employer provide training in the use and care of this product.

Mounting the 12090 bracket: 1) Remove locking pin and adjust rack joint to fit parapet wall within the 3” adjustment limit and reinsert locking pin and lock clasp. 2) Install bracket to parapet wall by keeping Y-legs to outside of parapet wall and adjustment leg to inside of parapet wall. Rack joint and Y-legs rest firmly on top of parapet wall. 3) Tighten adjustment screw until rail and front rails are tight against outside and inside of parapet wall. 4) Install two (2) 3/16” tapcon screws through holes provided in rail and tighten securely to inside of parapet wall. 5) Spacing between bracket shall not be more than (8) feet apart.

Instructions for Use of 12090: 1) Place post (12055) in socket allowing it to rest on the roof’s surface or adjust the height with provided stopper. Always allow at least 16” of post below stopper so that post seats properly in base. 2) Slide construction grade lumber (2”x4” nom.) through 12055 pockets to create a continuous guardrail system meeting OSHA requirements 29CFR-1910.23 & 1926.502. Overlap 2 x 4’s at the 12055 post. Secure 2 x 4’s to post w/nails.

Care And Maintenance of 12090: 1) Inspect all equipment before and after each use to be sure that there is no damage or deformation to any of the equipment. 2) Inspect to be sure there is no deterioration as a result of rusting. Discard if necessary. 3) Any equipment subjected to the forces of a fall arrest must be removed from service immediately. 4) Always handle the equipment with care to ensure safe and lasting use. 5) Do not throw or drop any equipment from height. 6) Do not use if exposed to extreme heat or cold. Discard at once. 7) Do not use if wet or frozen.

Made in the USA
Acro Building Systems Inc.
Acro Metal Stamping Inc.
Milwaukee, WI
ISO 9001:2008

<u>MDL#</u>	<u>PRODUCT</u>
12090	Parapet Guardrail System Bracket & Post
12055	Replacement Post for Guard Rail Systems

Updated 3/30/12