

PATRIOT JRTM

**DESICCANT DRYERS

PJR-DRYERCARTRIDGE
**BREAKDOWN ON PAGE 3

CUSTOM OEM REACTOR

PJR-BARE2018
Custom Graco reactor with pump
gaguges and status light for diagnostics.
Up to 1.5 gpu / 2000 lbs pressure

FOLDING ARMS

*Y-STRAINER ASSY

BREAKDOWN ON PAGE 2

***BLEED LINES

BREAKDOWN ON PAGE 3

****MOUNTED AIR COMPRESSOR

PJR-COMPRESSOR
****BREAKDOWN ON PAGE 4

18 X 850 TIRES

LES-WHEEL18X8-5-CF

LATCH DOWN STRAP SYSTEM

PJR-STRAP34415

3000W GENERATOR

WIN-GEN3000GX160
GEN-GEN7129-GP3000I

DRAWER LOCK

PJRLOCK

LOCKABLE COMPARTMENT

PJR-DRAWER

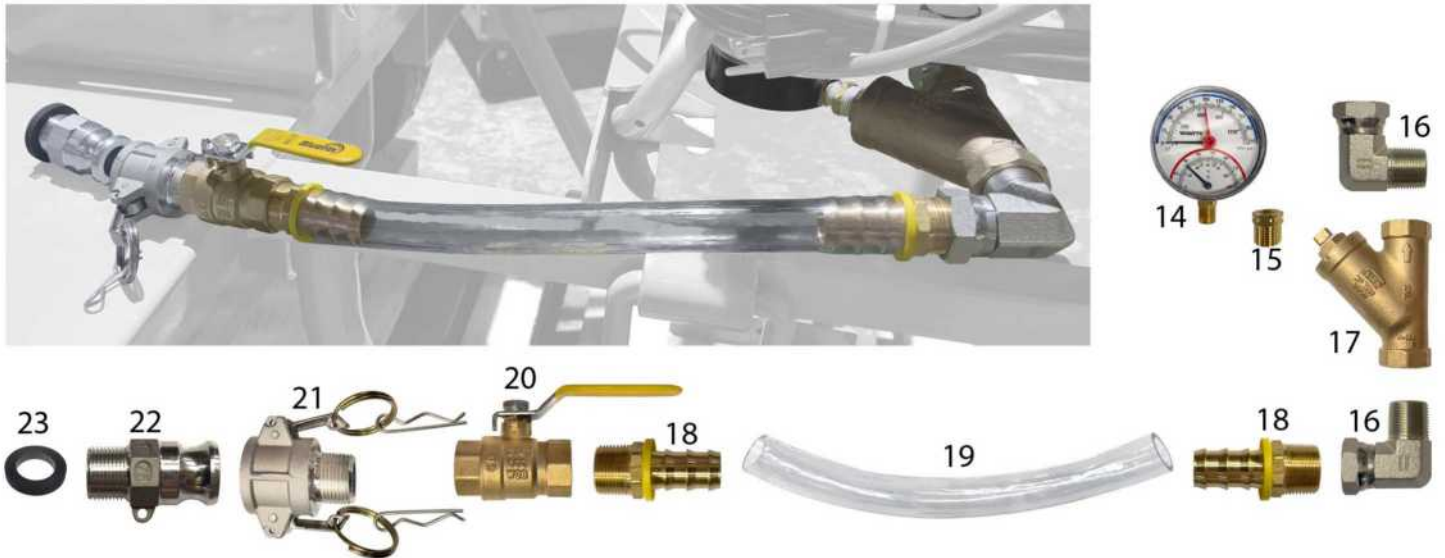
FORK LIFT SLOTS

"D" RINGS FOR LIFING

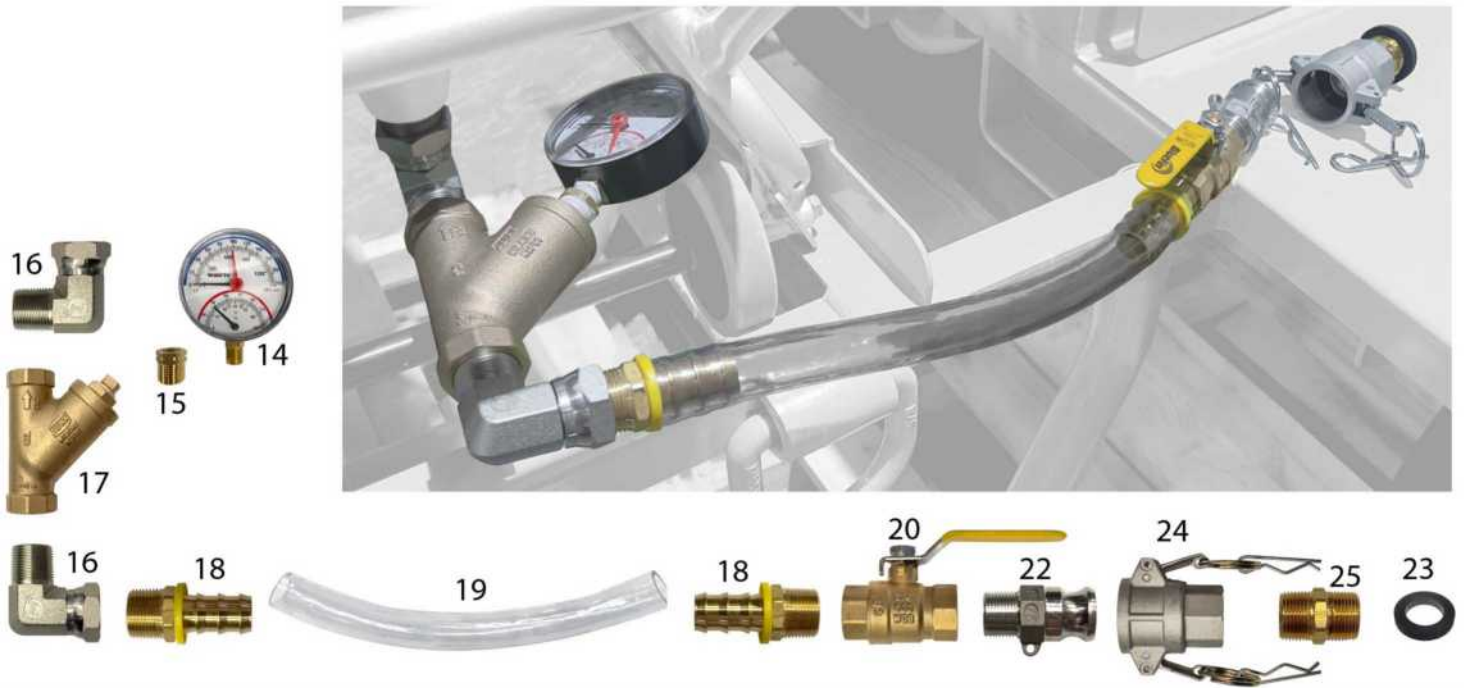
- 1 DESSICCANT DRYERS (PJR-DRYERCARTRIDGE)**
- 2 CUSTOM OEM REACTOR (PJR-BARE2018)
- 3 FOLDING ARMS
- 4 Y-STRAINER ASSY *
- 5 BLEED LINES***
- 6 MOUNTED AIR COMPRESSOR (PJR-COMPRESSOR)****
- 7 TIRES 18 X 850 (LES-WHEEL18X8-5-CF)
- 8 LATCH DOWN STRAP SYSTEM (PJR-STRAP34415)
- 9 GENERATOR 3000W (WIN-GEN3000GX160 GEN-GEN7129-GP3000I)
- 10 DRAWER LOCK (PJRLOCK)
- 11 LOCKABLE COMPARTMENT (PJR-DRAWER)
- 12 FORK LIFT SLOTS
- 13 "D" RINGS

PARTS LIST: 2023

***FEMALE Y-STRAINER ASSY PART-A (ISO)**



***MALE Y-STRAINER ASSY PART-B (RESIN)**



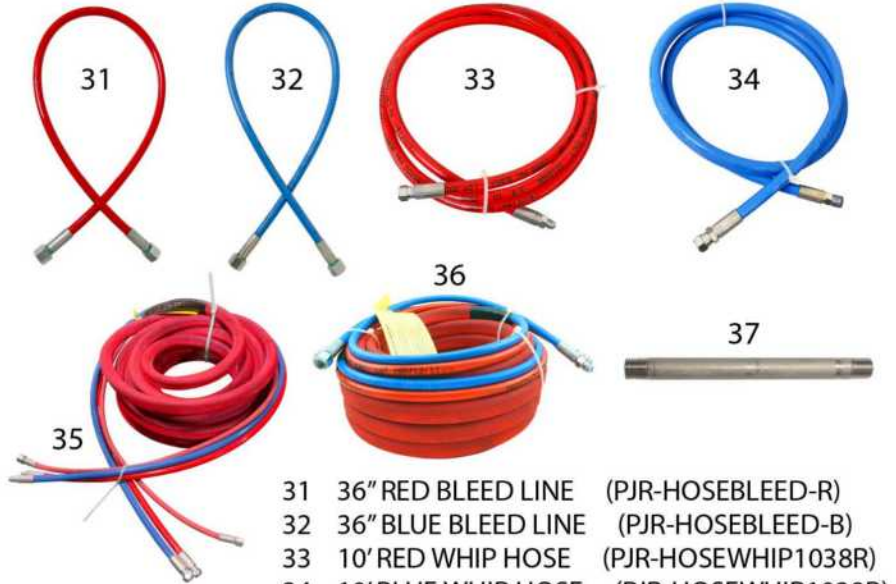
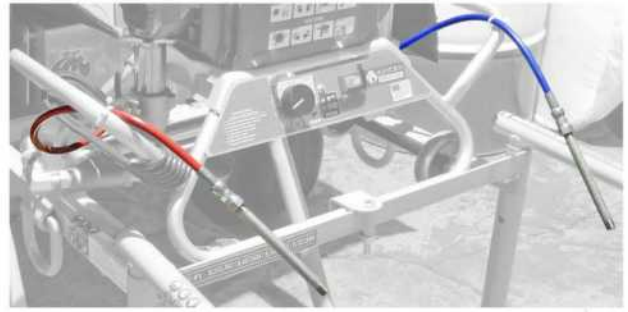
- 14 PRESSURE AND TEMPERATURE GAUGE (0121665)
- 15 BOTTOM ENTRY MOUNT - 1/2" NPT CONNECTION (0121665)
- 16 90° SWIVEL - 3/4" MALE X 3/4" FEMALE (PJR-FITTING3490)
- 17 STRAINER (PJR-STRAINERBRASS)
- 18 PUSH ON HOSE BARB (PJR-HOSEBARB)
- 19 CLEAR MATERIAL TUBING (PJR-HOSEBARB)
- 20 BALL VALVE - 3/4" THREADED FULL PORT (PJR-VALVEBALL34)
- 21 FEMALE CAM LOCK G75-B-AL (PJR-CAMFEM-MNPT)
- 22 MALE CAM LOCK FITTING G75-F-AL (PJR-CAMMALE-MNTP)
- 23 GASKET 75-G-BU (PJR-GASKET CAMLOCK)
- 24 FEMALE CAM LOCK G75-D-AL (PJR-CAMLOCK-FEFE)
- 25 NIPPLE HEX FITTING - 3/4" MALE X MALE (PJR-FITTINGBAASS34)

****DRYER ASSEMBLY**



- 26 DISICCANT DRYER (PJR-DRYERCARTRIDGE)
- 27 DRYER (PJR-DRYERADAPTER)
- 28 6" X 3/4" SS NIPPLE (PJR-34NIPPLESS)
- 29 VENT PIPE ELBOW (PJR-ELBOW90)
- 30 BUSHING - 2" X 3/4" SS (PJR-BUSHINGSS2)

*****BLEED LINES**

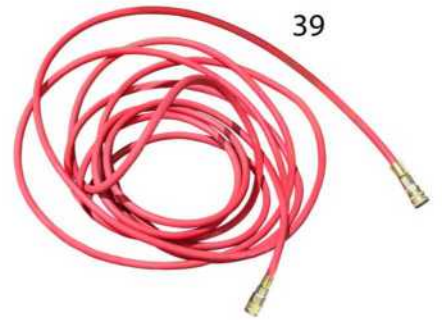


- 31 36" RED BLEED LINE (PJR-HOSEBLEED-R)
- 32 36" BLUE BLEED LINE (PJR-HOSEBLEED-B)
- 33 10' RED WHIP HOSE (PJR-HOSEWHIP1038R)
- 34 10' BLUE WHIP HOSE (PJR-HOSEWHIP1038B)
- 35 3-HOSE BUNDLE (PJR-HOSE5038-3B)
- 36 2-HOSE BUNDLE (PJR-HOSE5038-2B)
- 37 BLEED TUBE - 1/4" X 6" SS (PJR-BLEEDPIPE)



- 38 FITTING 75-A-AL (PJR-CAMMALE-FEMALE)
- 39 PLUG 75-DP-AL (PJR-CAMLOCKPLUG)
- 40 BLACK QUICK CONNECT (OMG-QUICKCONNECTS)
- 41 GREY QUICK CONNECT (OMG-QUICKCONNECTS)
- 42 CAM LOCK CAP 75-DC-AL (PJR-CAPCAMGRV)
- 43 SURF A LUBE (PJR-GSPSURFALUBE1G)
- 44 NZD ISO FLUSH (PJR-GSPISOFLUSH1G)
- 45 SURF X FLUSH 2000 (PJR-GSPSURFXFLUSH20001G)
- 46 OIL PJR PUMP (PJR-PUMPOIL)
- 47 SCREEN REPLACEMENT (PJR-YSCREENO)

****UPGRADE KIT



- 34 MOUNTED AIR COMPRESSOR (PJR-COMPRESSOR)
- 35 COMPRESSOR PIN (PJR-HANDLEPIN)
- 36 PLUG -1/4" (PJR-AIRFITTING14M)
- 37 FEMALE COMBO COUPLER (PJR-AIRCOUP14F)
- 38 MALE COMBO COUPLER (PJR-AIRCOUP14M)
- 39 10' AIR BLEED WHIP (PJR-HOSEAIR60)

- 54 VEE-AIR ONE APPLICATOR (PJR-GUN-VA1-SP)
 - 54.1 AIR FITTING (PJR-AIRFITTING14F)
 - 54.2 AIR TUBE ASSEMBLY (PJR-TUBE-VA1-SP)
 - 54.3 CHECK VALVE (PJR-CHECK-VA1-SP)
 - 54.4 STEM VALVE (PJR-STEMVALVE-VA1-SP)
 - 54.5 HANDLE LOCK SYSTEM
 - 54.6 ADJUSTABLE HANDLE
 - 54.7 A + B LINE HOOKUPS (PJR-VALVE-VA1-SP)
 - 54.8 YOKE
 - 54.9 GREASE PORTS (PJR-GREASEFIT)
- 60 JUST THE TIP (PJR-JTT)

