



**MALTA DYNAMICS**

**Universal  
Standing Seam  
Roof Anchor**

**A6317 Instruction Manual**

# Universal Standing Seam Roof Anchor A6317 INSTRUCTION MANUAL

These instructions apply to the following model(s):  
**A6317 Universal Standing Seam Roof Anchor**

Manual Revision Date:  
20200212

*A copy of this manual must be available to users at all times. Visit [www.MaltaDynamics.com](http://www.MaltaDynamics.com) for the latest user instruction manual based upon date of manufacture.*

## TABLE OF CONTENTS

Under Penalty of Law -----	3
Purpose -----	3
Performance -----	3
Instructions for Use -----	4
Limitations for Use -----	7
Connector Compatibility Limitations -----	7
Clearance Factors -----	9
Training -----	10
Frequency -----	11
Cleaning and Maintenance -----	12
Safety Info -----	13
Product Labels -----	14
Inspection Log -----	15
Warranty -----	16

# UNDER PENALTY OF LAW

This manual must be read and understood in its entirety and used as part of your fall protection training program as required by OSHA 1926 and State and local regulatory agencies. This instruction manual is intended to meet industry standards required by OSHA and should be used as part of an Employee Fall Safety training program as required by OSHA. User must read and fully understand the limitations and proper use of the equipment, and be properly trained by employer prior to use per OSHA 29 CFR 1910.66, 29 CFR 1926.503, and applicable local standards.

NOTE: This *User Instruction Manual* is not to be removed except by the user of this equipment. Current *User Instruction Manuals* must always be available to the user. Read and understand these instructions before using equipment. *Instructions can be downloaded from [www.maltdynamics.com](http://www.maltdynamics.com) website.*

## WARNING

Misuse or failure to follow warnings, instructions and limitations on the use of this equipment may result in serious personal injury or death. Maximum 1 attachment per connection type. For further instructions about proper use, refer to supervisor or contact Malta Dynamics at 1-800-494-1840.

## PURPOSE

Malta Dynamics Universal Standing Seam Roof Anchor, A6317 is intended for use as part of a comprehensive personal fall arrest (PFAS) or personal fall restrain (PFR) system. Standing Seam Roof Anchor is designed for use as a temporary anchorage connector for a PFAS or PFR system.

The A6317 must never be used to lift, hang, or support equipment. When used as part of a comprehensive PFAS, workers must also use a full body harness and shock absorbing lanyard/self-retracting lifeline that limits free fall to a maximum of six feet. When used as part of a comprehensive PFRS, workers must use a full body harness OR a work positioning belt and lanyard.

## PERFORMANCE

A6317 Universal Standing Seam Roof Anchor has a minimum tensile breaking strength of 5,000 lbs. (22.2 kN) when statically tested.



Model/ Part #	Material	Standard Regulation	Service Temperature	Minimum Breaking Strength (MBS)	Max Users Permitted	User Capacity Limit	Fasteners
A6317	Aluminum Alloy	OSHA 1926 subpart M, OSHA 1910	-30°F - 130°F (-34°C - 54°C)	5,000 lbs. 22.2 (kN)	1	130 - 310 lbs. (58-140kg)	Qty 8, set screws included

## INSTRUCTIONS FOR USE



### WARNING

Do not alter or intentionally misuse this equipment.

Anchor must be positioned to apply load in the long axis of the anchor bracket.

After removal of the roof anchor, roof surface may require repairs. It is the responsibility of the installer to make applicable repairs to the roof materials.

The Malta Dynamics Roof Anchor can be used on a maximum roof slope of 12/12 pitch.

The Standing Seam anchor must be attached to fully sealed panels.

Tighten down set screws to 50 ft/lbs.

Use only on compatible standing seam roofs, a qualified person must make the final decision on compatibility.

Bulb of Standing Seam- .65in to .90in

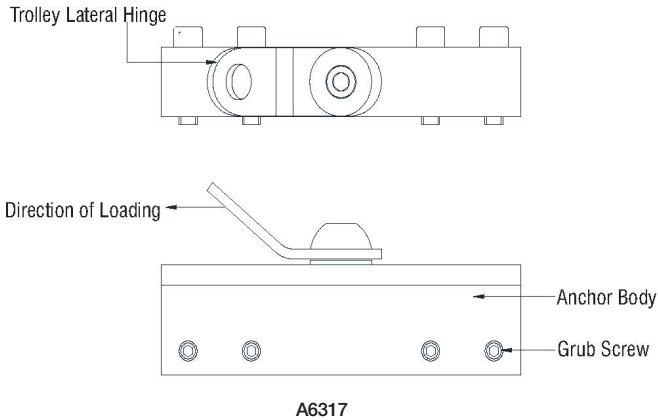
Minimum Thickness for Galvalume - .0197 in.

Minimum Thickness for Aluminum- .0394 in.

When multiple roof anchors are installed, the strength (static load) above must be met at each roof anchor's installation point independently. (E.g. If two roof anchors are installed onto a roof structure, each of the two anchor location must be independently capable of supporting 5,000 lbs.(22.2 kN) or 3,600 lbs. (16.0 kN) with certification.)

**Figure 1: Instructions for Loading**

**A6317**



**If roof anchor is not installed properly, it will not hold the rated loads and serious injury or death could occur.**

## LIMITATIONS FOR USE

### **⚠ WARNING**

- Do not use this equipment if you are unable to tolerate the impact of a fall arrest. Age and fitness can seriously affect your ability to withstand a fall. Consult with a physician if in doubt. Minors, pregnant women, and anyone with a history of back and/or neck problems must not use this equipment.
- Use caution when employing this equipment around machines, electrical hazards, chemical hazards and sharp edges or abrasive surfaces, as contact may cause equipment failure, personal injury, or death.
- All synthetic material must be protected from slag, hot sparks, open flames, or other heat sources. The use of heat resistant materials is recommended in these applications.
- Users must have a written rescue plan and the means to implement it. This plan must provide prompt employee rescue or assure that employees have the ability to rescue themselves in the event of a fall.
- Altering or misuse of this product could lead to injury or death.
- Use only with compatible components of subsystems. Substitutions or replacements made with non-approved components may jeopardize equipment compatibility and affect system safety and reliability.
- Remove any surface contamination such as concrete, stucco, roofing material, etc., that could accelerate cutting or abrading of attached components.



# CONNECTOR COMPATIBILITY LIMITATIONS

Malta Dynamics equipment must be coupled only to compatible connectors that are suitable to your application. Ensure all connections are compatible in size, shape and strength. Ensure all connectors are fully closed and locked. OSHA 29 CFR 1926.502 prohibits the use of snap hooks to engage to objects unless the following requirements are met:

- Snap hook must be an ANSI-style locking model.
- Snap hook must be explicitly designed for such a connection, meaning that the manufacturer of the snap hook specifically intended it to connect to the equipment in question.

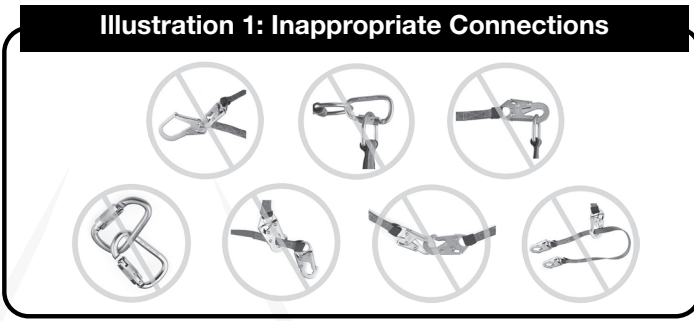
Use of a non-locking snap hook can result in rollout (a process by which a snap hook or carabiner unintentionally disengages from another connector or the object to which it is coupled (ANSI Z359.0- 2012). Malta Dynamics connectors (snap hooks and carabiners) are designed to be used only as specified in each product's user's instructions.

## Avoid the following types of connections:

- Two or more snap hooks or carabiners attached to one D-Ring.
- A snap hook connected to its integral lanyard.
- A snap hook connected to a horizontal lifeline.
- Connection in a manner that results in a load on the gate. NOTE: *Large throat opening snap hooks should not be connected to standard size D-Rings or similar objects. This could result in a load on the gate if the hook or D-Ring twists or rotates. Large throat snap hooks are designed for use on structural elements such as rebar or cross members that are not shaped to capture the gate of the hook.*
- False engagement connections, where protruding features of the snap hook or carabiner may catch on the anchor and seem fully engaged to the anchor point. Always confirm engagement.
- Connection to snap hooks or carabiners.
- Direct connection to webbing lanyard, webbing loop, rope lanyard or tie-back (unless the manufacturer's instructions for both the lanyard and connector specifically allow such a connection).
- A snap hook connected to a D-Ring, Rebar, or other connection point with improper dimensions/configurations could cause the snap hook keeper to become depressed by the turning motion of the snap hook; the snap hook or carabiner may not fully close and lock or roll-out may occur.

## Illustration 1 depicts examples of inappropriate connections:

## Illustration 1: Inappropriate Connections



### Before Each Use:

- Inspect the anchor for any damage or soiling (dirt, oil, paint, etc.)
- Ensure self-locking snap hooks & carabiners work properly. Inspect rope or webbing for wear, cuts, burns, frayed edges, or other damage.
- **Anchorage:** Select a rigid anchorage point capable of supporting required loads. Select appropriate anchorage point that will reduce possible free fall and swing fall hazards and avoid striking an object during a fall. Anchorage should be level (horizontal) in order to prevent the connector from sliding on an incline when in use, which could cause serious injury to the user.
- **Fall Clearance:** Should a fall occur, there must be sufficient clearance in the fall area to arrest the fall before striking the ground or other object.
- **Free Fall:** Personal fall arrest systems must be rigged in such a way that the free fall does not exceed 6 ft. Avoid working above the anchorage level to avoid an increase in fall distance.
- **Fall Arrest Forces:** The assembled Personal Fall Arrest system must limit maximum arrest forces to 1800 pounds (8 kN) or less. Deceleration distance shall not be allowed to exceed 48 in.

## CLEARANCE FACTORS

### Clearance Required is Dependent On the Following Factors:

- Elevation of Anchorage
- Connecting Subsystem Length
- Deceleration Distance
- Free-Fall Distance
- Worker Height
- D-Ring/Connector Length
- Movement of Harness Attachment Element
- Length of Full Body Harness FBH) Stretch
- Working Level

## Illustration 2: Fall Clearance Considerations

- 
- A. Connecting Subsystems (Energy Absorbing Lanyard shown) Length + Movement of Harness Attachment + Length of FBH Stretch + Settling of User's Body While in the Harness
  - B. Working Level (Thickness)
  - C. Worker Height + Connector Length
  - D. Free-Fall—6' Max. (per ANSI Z359.1)
  - E. Deceleration Distance
  - F. Total Fall Distance: Sum of A through E
  - G. Lower Level or Obstruction

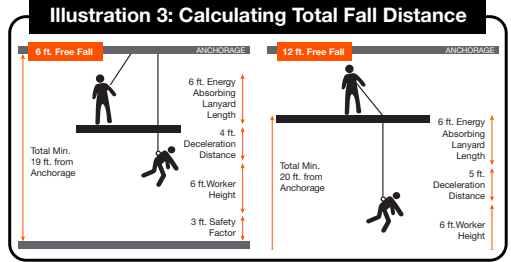
### See Illustration 2.



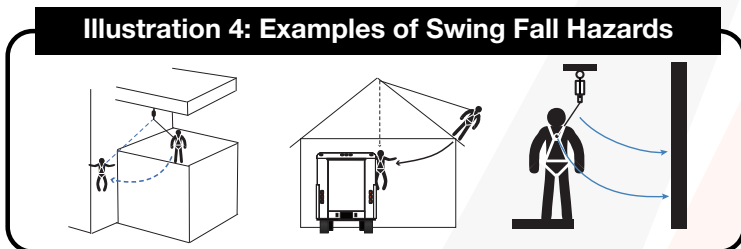
If there is a risk of fall or if the only anchorage point is below the attachment points on the harness, it is essential to use a lanyard provided with an energy absorber. Before using a shock absorbing lanyard, ensure that there is sufficient fall clearance below the user to prevent any collision with the structure or the ground.

### Calculating Total Fall Distances:

Total Fall Clearance below worker is calculated from Anchorage Connection. Free Fall Distance + Working Level + Energy Absorber + Deceleration Distance + Worker Height + Connector Length + Safety Factor. Ensure that total fall distance is clear of obstructions and equipment. Avoid potential contact with a lower level. **See Illustration 3.**



- Thoroughly evaluate and plan all elements of fall protection system(s) before using this equipment. Make sure that your Personal Fall Arrest System is appropriate for your needs and facility. Calculate fall clearance and swing fall clearance. The amount of clearance required is dependent on the type of connecting subsystem, the anchorage location, and the amount of stretch in the lifeline. When calculating distance, be sure to consider:
  - Deceleration Distance
  - Movement of harness attachment element (D-Ring, Harness Stretch)
  - Free Fall Distance
  - Height of the Worker (how tall is the worker?)
  - Elevation of Anchorage Connector
  - Connecting Subsystems Length
- **Swing Falls** occur when the anchorage point is not directly above the point of a fall. The force of striking an object in a swing may cause serious injury or death. Minimize potential for swing falls by working as close to the anchorage point as possible. Do not permit a swing fall if injury could occur. Swing falls significantly increase the amount of clearance required. **See Illustration 4.**





## **WARNING**

- Avoid working where your lanyard, lifeline or other system components will be in contact with, or abrade against, unprotected sharp edges.
- A Competent Person must ensure the compatibility of all connections and that of the system.
- Do not use the system if any component in the system does not operate properly.

## **TRAINING**

Employers are responsible for providing training to any employee who may be exposed to fall hazards in order to enable the employee to recognize and reduce fall hazards. Training must be conducted by a Competent or Qualified Person as defined by OSHA 29 CFR1926.32(f). Trainer and trainees must not be exposed to fall hazards during the training course.

## **INSPECTION**

The authorized person, authorized rescuer or others using this equipment must comply with these instructions. It is recommended the program administrator, or other similarly recognized person, retain the manufacturer's user instructions and require them to be read, understood and readily available to all users.

Authorized person or rescuer shall inspect equipment before each use. Additionally, a competent or qualified person other than the user shall conduct inspections annually.

The program administrator shall set inspection criteria for the equipment. Such criteria shall equal or exceed the most restrictive of the criteria established by the user instructions. Keep inspection criteria current in relationship to changing patterns or conditions of use.

The program administrator shall maintain documentation of equipment inspections. This documentation shall include, at a minimum, the identity of the equipment, inspection date, name of the competent or qualified person conducting the inspection and the results of that inspection.



When an inspection reveals:

- defects in equipment; or
- damage to equipment; or
- inadequate maintenance of equipment; or
- activated stress indicators; or
- activated warning systems or devices; or
- deformation exceeding the manufacturer's stated limits;

Permanently remove equipment from service.

In addition to the inspection requirements set forth in the user instructions, inspect equipment at each inspection level described for:

- absence or illegibility of markings or tags;
- absence of any elements affecting the equipment form, fit or function;
- evidence of defects in or damage to hardware elements including cracks, sharp edges, deformation, corrosion, chemical attack, excessive heating, alteration and excessive wear;
- evidence of defects in or damage to straps, wire rope or ropes including fraying, crushing, unsplicing, unlaying, kinking, knotting, roping, broken or pulled stitches, broken or pulled wires or multiple broken wires, excessive elongation, chemical attack, excessive soiling, abrasion, alteration, needed or excessive lubrication, excessive aging and excessive wear;
- alteration, absence of parts, or evidence of defects in, damage to or improper function of mechanical devices and connectors;
- any other condition that calls to question the suitability of the equipment for its intended purpose.

If the equipment has arrested a fall or been damaged, remove the equipment from service. Additionally, clearly mark or tag the equipment not for use and either disposed of or serviced in accordance with the manufacturer's recommendation.

If inspection reveals any defect, inadequate maintenance, or unsafe condition, remove anchor from service immediately.

Any anchor that has been subjected to the forces of arresting a fall must be removed from service immediately.

**Note:** Equipment must not be altered in any way, including attempted repair. Only manufacturer, or entities authorized in writing by the manufacturer, may make repairs to this product.

- Equipment must be free of corrosion, chemical attack, alteration, excessive heat or extreme wear.
- All markings must be legible and attached to the equipment.

# FREQUENCY

- All equipment must be visually inspected prior to each use according to the manufacturer's instructions included at time of shipment. Inspections must be performed by a Competent Person other than the user (as defined by OSHA) a minimum of once per year (annually).
- Record the results of each formal inspection in your inspection log.
- **NOTE: Per Cal/OSHA PFAS must be inspected by a competent person at least twice a year, in accordance with the manufacturer's recommendations, with inspection dates documented.**

# CLEANING, MAINTENANCE, AND STORAGE

## Cleaning

Wipe off all surface dirt. Store in clean, dry space, away from heat and areas where chemical vapors may exist. Avoid storing in direct light to prevent UV degradation.

## Maintenance

Do not attempt to disassemble or repair. Only Malta Dynamics or entities authorized in writing by Malta Dynamics shall make repairs, authorize maintenance, or make alterations to the equipment.

Tag equipment which is in need of or scheduled for maintenance not for use until maintenance is performed.

## Storage

Store equipment in a manner as to preclude damage from environmental factors such as heat, light, excessive moisture, oil, chemicals and their vapors or other degrading elements.

# SAFETY INFO

## Anchorage Strength:

Anchorage selected for **Personal Fall Arrest Systems must meet all** anchorage strength requirements.

- **Personal Fall Arrest:** Anchorages used for PFAS must be capable of sustaining static loads in the direction permitted by the PFAS of at least: 3,600 lbs. with certification of a qualified person; or 5,000 lbs. without certification. When more than one PFAS is attached to an anchorage, the strengths stated above must be met independently at and for each anchorage location.
- **Work Positioning:** The structure to which the work positioning system is attached must sustain static loads applied in the directions permitted by the work positioning system of at least 3,000 lbs., or twice the potential impact load, whichever is



greater. See OSHA 1926.502. When more than one work positioning system is attached to an anchorage, the strengths stated above must be multiplied by the number of work positioning systems attached to the anchorage.

- **Restraint:** Anchorages selected for rescue systems must be capable of sustaining static loads of at least: 1,100 lbs. When more than one restraint and travel restraint system is attached to an anchorage, the strengths stated above must be multiplied by the number of work positioning systems attached to the anchorage.
- **Rescue:** The structure to which rescue system is attached must sustain static loads applied in the directions permitted by the work positioning system of at least 3,000 lbs., or five times the potential impact load, whichever is greater. See OSHA1926.502. When more than one work positioning system is attached to an anchorage, the strengths stated above must be multiplied by the number of work positioning systems attached to the anchorage.

Fall Arrest	Non-Certified Anchorage	5,000 lbs. (22.2kN)	Multiple Systems: When more than one of the defined systems is attached to an anchorage, the strength defined shall be multiplied by the number of systems attached to the anchorage.
	Certified Anchorage	3,600 lbs. (16.1kN)	
Restraint	Non-Certified Anchorage	1,100 lbs. (22.2kN)	
	Certified Anchorage	≥ 2 Times the Maximum Potential Impact Load	
Work Positioning	Non-Certified Anchorage	3,000 lbs. (22.2kN)	Certified Anchorage: An anchorage for Personal Fall Arrest, Work Positioning, Restraint or Rescue systems that a qualified person certified to be capable of supporting the potential fall or that meets the criteria for a certified anchorage point, as prescribed by relevant ANSI and OSHA standards.
	Certified Anchorage	≥ 2 Times the Maximum Potential Impact Load	
Rescue	Non-Certified Anchorage	3,000 lbs. (22.2kN)	
	Certified Anchorage	≥ 5 Times the Maximum Potential Impact Load	

# PRODUCT LABELS

The following labeling is affixed to product and must not be removed:



**MALTA DYNAMICS**  
 Universal Standing Seam Roof Anchor  
 A6317

Serial No.: XXXXX  
 Batch No.: XXXXX  
 Date of Mfg.: XXXXX

Complies with all applicable OSHA 1910 and  
 1926 Subpart M and ANSI A10.32-2012 regulations.

Material: Alloy Steel  
 Minimum Breaking Strength (MBS): 5000 lbs  
 Service Temperature: -30°F to 130°F (-34°C to 54°C)  
 Capacity range (including all equipment): 130-310 lbs. (58-140 kg)

Do Not Remove Label

⚠ **WARNING**

Before every use, user must read the instruction manual received with the product at the time of shipment. All instructions regarding proper use, maintenance and inspection must be followed. Any alteration, misuse or failure to follow instructions, may result in serious injury or death.

**ANY ALTERATION, ABUSE OR MISUSE OF THIS PRODUCT VOIDS THE WARRANTY.**



Read the user Manual

210 13th Street  
 Malta, OH 43748  
 800-494-1840  
 MaltaDynamics.com

Made in India

Inspection:

Inspect the product before each use. Every 12 months, inspection of the product must be done by a Competent Person in accordance with the manual. Do not use if found in defective condition or fails inspection. Should not be repaired by the user.

Use: Refer to the user instruction manual for details on making connections. Keep the lifeline safe from abrasive surfaces and sharp edges during use. Always use caution when using the equipment near hazardous, thermal, electrical or chemical sources. Refer to the user manual for additional information.

Date of First Use:

INSPECTION CHART

MO	J	F	M	A	M	J	J	A	S	O	N	D
20												
20												
20												
20												
20												

Do Not Remove Label
Made in India





# WARRANTY

THE FOLLOWING IS MADE IN LIEU OF ALL WARRANTIES OR CONDITIONS, EXPRESS OR IMPLIED, INCLUDING THE IMPLIED WARRANTIES OR CONDITIONS OF MERCHANTABILITY OR FITNESS FOR A PARTICULAR PURPOSE. Equipment offered by Malta Dynamics is warranted against factory defects in workmanship and materials for a period of one year from date of installation or first use by the original owner. LIMITED REMEDY: Upon notice in writing, Malta Dynamics will repair or replace all defective items at Malta Dynamics's sole discretion. Malta Dynamics reserves the right to require that the defective item be returned to its plant for inspection before determining the appropriate course of action. Warranty does not cover equipment damage resulting from wear, abuse, damage in transit, failure to maintain the product or other damage beyond the control of Malta Dynamics. Malta Dynamics shall be the sole judge of product condition and warranty options. This warranty applies only to original purchaser and is the only warranty applicable to this product. Please contact Malta Dynamics customer service department at 800-494-1840 for assistance. LIMITATION OF LIABILITY: IN NO EVENT WILL MALTA DYNAMICS BE LIABLE FOR ANY INDIRECT, INCIDENTAL, SPECIAL OR CONSEQUENTIAL DAMAGES INCLUDING, BUT NOT LIMITED TO LOSS OF PROFITS, IN ANY WAY RELATED TO THE PRODUCTS REGARDLESS OF THE LEGAL THEORY ASSERTED.



**MALTA DYNAMICS**

800-494-1840  
MaltaDynamics.com  
210 13th Street  
Malta, OH 43758 USA

