

PJR Reactor Pumps Overview

Component A (ISO) Pumps Parts



Parts View

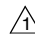
Component A (ISO) Pumps

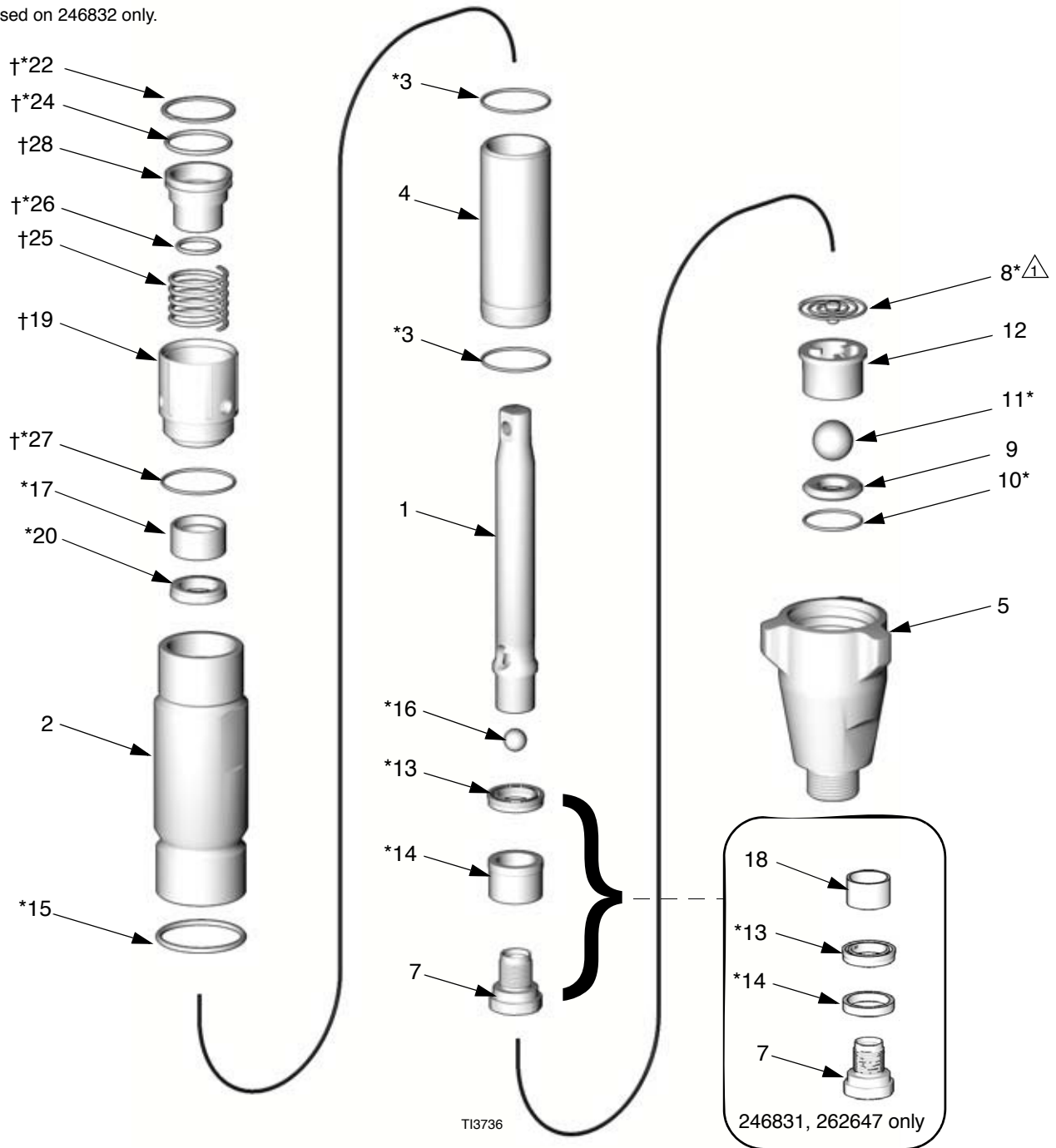
Part 246830, E-20 and E-XP1; includes items 1-7, 9-28

Part 246831, E-XP2; includes items 1-7, 9-22, 24-28

Part 262647, A-25; includes items 1-7, 9-22, 24-28

Part 246832, E-30; includes items 1-17, 19-22, 24-28 (shown)

 Used on 246832 only.



Component A (ISO) Pumps

Part 246830, E-20 and E-XP1; includes items 1-7, 9-28

Part 246831, E-XP2; includes items 1-7, 9-22, 24-28

Part 262647, A-25; includes items 1-7, 9-22, 24-28

Part 246832, E-30; includes items 1-22, 24-28 (shown)

Ref.	Part	Description	Qty.	Ref.	Part	Description	Qty.
1	240518	ROD, displacement; sst (246830)	1	17*	15B075	BUSHING, rod (246830)	1
	240517	ROD, displacement; sst (246831, 262647)	1		15B074	BUSHING, rod (246831, 262647)	1
	246689	ROD, displacement; sst (246832)	1		15B076	BUSHING, rod (246832)	1
2	243346	CYLINDER, pump (246830)	1	18	15J196	BUSHING, pump (246831, 262647 only)	1
	240520	CYLINDER, pump (246831, 262647)	1	19†	15C569	NUT, packing (246830)	1
	245413	CYLINDER, pump (246832)	1		15C571	NUT, packing (246831, 262647)	1
3*	108526	O-RING; PTFE (246830)	2		15C573	NUT, packing (246832)	1
	107098	O-RING; PTFE (246831, 262647)	2	20*	117447	SEAL, u-cup, throat; UHMWPE (246830)	1
	108822	O-RING; PTFE (246832)	2		117446	SEAL, u-cup, throat; UHMWPE (246831, 262647)	1
4	240521	SLEEVE, cylinder; sst (246830)	1		117448	SEAL, u-cup, throat; UHMWPE (246832)	1
	240525	SLEEVE, cylinder; sst (246831, 262647)	1	22*†	118377	RING, retaining (246830)	1
	240921	SLEEVE, cylinder; sst (246832)	1		118378	RING, retaining (246831, 262647)	1
5	195892	HOUSING, valve, intake (246830)	1		118379	RING, retaining (246832)	1
	193030	HOUSING, valve, intake (246831, 262647)	1	23*	15B661	TOOL, installation, seal (246830 only); not shown; part of Repair Kit 246420	1
	198219	HOUSING, valve, intake (246832)	1	24*†	118381	O-RING; fluoroelastomer (246830)	1
7	239932	VALVE, piston (246830)	1		107563	O-RING; fluoroelastomer (246831, 262647)	1
	240150	VALVE, piston (246831, 262647)	1		118403	O-RING; fluoroelastomer (246832)	1
	240580	VALVE, piston (246832)	1	25†	118374	SPRING (246830)	1
8*‡	249770	SPRING, intake ball (246832 only)	1		118375	SPRING (246831, 262647)	1
9	239922	SEAT, intake; carbide (246830); includes items 10 and 11	1		118376	SPRING (246832)	1
	244199	SEAT, intake; carbide (246831, 262647); includes items 10 and 11	1	26*†	118380	O-RING; fluoroelastomer (246830)	1
	240918	SEAT, intake; carbide (246832); includes items 10 and 11	1		110955	O-RING; fluoroelastomer (246831, 262647)	1
10*	107079	O-RING; PTFE (246830)	1		C20111	O-RING; fluoroelastomer (246832)	1
	108526	O-RING; PTFE (246831, 262647)	1	27*†	107563	O-RING; fluoroelastomer (246830)	1
	107098	O-RING; PTFE (246832)	1		103414	O-RING; fluoroelastomer (246831, 262647)	1
11*	105445	BALL, intake; sst; 0.5 in. (13 mm) (246830)	1		111178	O-RING; fluoroelastomer (246832)	1
	102972	BALL, intake; sst; 0.875 in. (22 mm) (246831, 262647)	1	28†	15C570	PISTON, wet-cup, ISO (246830)	1
	107167	BALL, intake; sst; 1 in. (25 mm) (246832)	1		15C572	PISTON, wet-cup, ISO (246831, 262647)	1
12	192624	GUIDE, ball (246830)	1		15C574	PISTON, wet-cup, ISO (246832)	1
	193027	GUIDE, ball (246831, 262647)	1				
	193391	GUIDE, ball (246832)	1				
13*	117450	SEAL, u-cup, piston; UHMWPE (246830)	1				
	117449	SEAL, u-cup, piston; UHMWPE (246831, 262647)	1				
	117448	SEAL, u-cup, piston; UHMWPE (246832)	1				
14*	15B078	BUSHING, piston (246830)	1				
	15J197	BEARING, lower (246831, 262647)	1				
	15B079	BUSHING, piston (246832)	1				
15*	156593	O-RING; BUNA-N (246830)	1				
	156633	O-RING; BUNA-N (246831, 262647)	1				
	160325	O-RING; BUNA-N (246832)	1				
16*	105444	BALL, piston; sst; 0.3125 in. (8 mm) (246830)	1				
	101947	BALL, piston; sst; 0.375 in. (10 mm) (246831, 262647)	1				
	107203	BALL, piston; sst; 0.5625 in. (14 mm) (246832)	1				

* These parts are included in the Pump Repair Kits, which may be purchased separately. Some parts in the kit may not be used in your pump.

† These parts are included in the Wet-Cup Kits. Order the correct kit for your pump from the table below. See page 26 for information on 246928 Reservoir Kit.

Pump Part No.	Pump Repair Kit	Wet-Cup Kit
246830	246420	246962
246831, 262647	15C851	246963
246832	15C852	246964

‡ This part is also available in the Intake Spring Kit 249770, which may be purchased separately.

Component B (Resin) Pumps

Part 245970, E-20 and E-XP1; includes items 1-7, 9-23

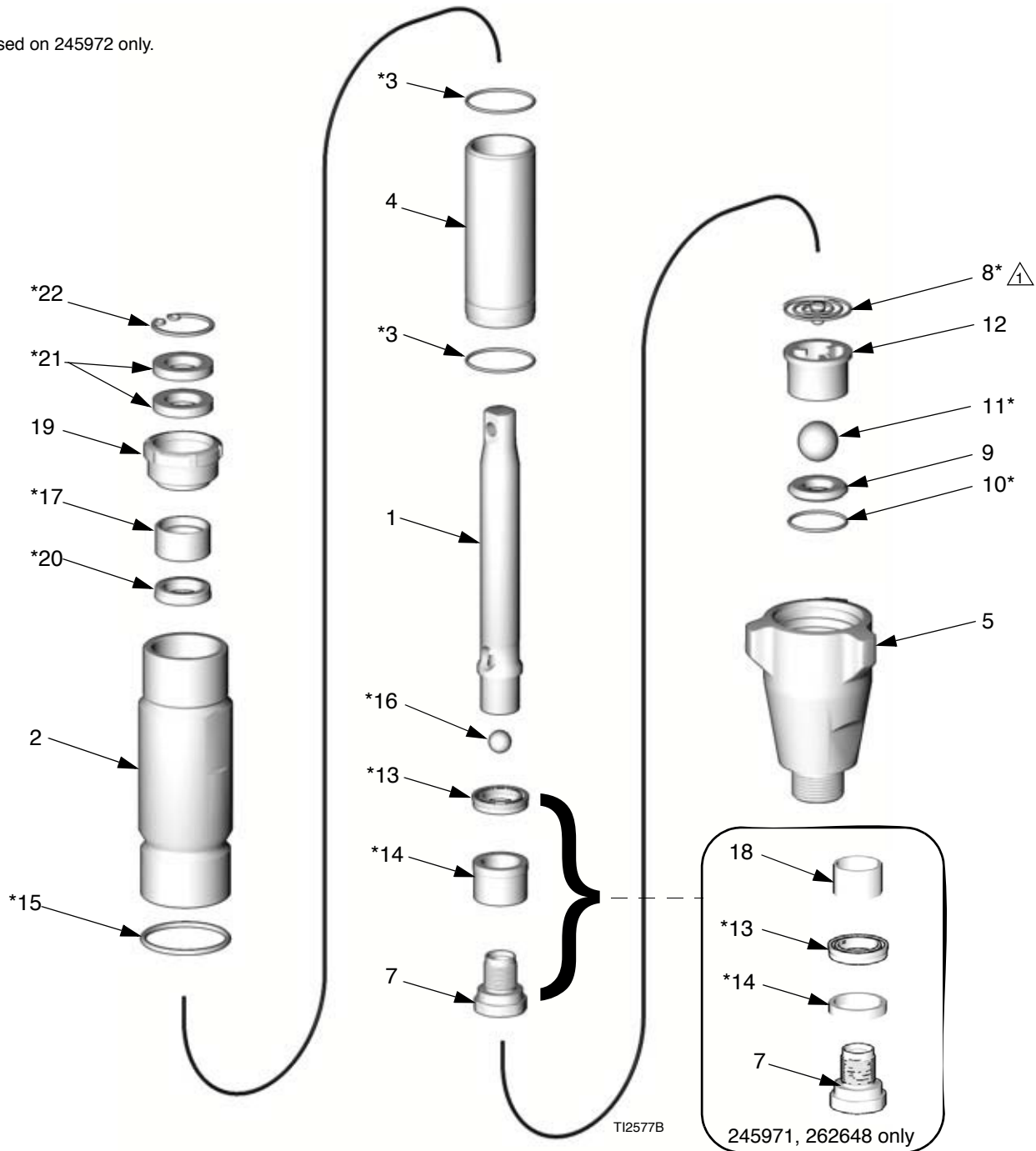
Part 245971, E-XP2; includes items 1-7, 9-22

Part 262648, A-25; includes items 1-7, 9-22

Part 245972, E-30; includes items 1-22 (shown)

NOTE: These pumps were also used on Component A (ISO) side of Reactors built before May 2003.

Used on 245972 only.



Component B (Resin) Pumps

Part 245970, E-20 and E-XP1; includes items 1-7, 9-23

Part 245971, E-XP2; includes items 1-7, 9-22

Part 262648, A-25; includes items 1-7, 9-22

Part 245972, E-30; includes items 1-22 (shown)

Ref.	Part	Description	Qty.	Ref.	Part	Description	Qty.
1	240518	ROD, displacement; sst (245970)	1	16*	105444	BALL, piston; sst; 0.3125 in. (8 mm) (245970)	1
	240517	ROD, displacement; sst (245971, 262648)	1		101947	BALL, piston; sst; 0.375 in. (10 mm) (245971, 262648)	1
	246689	ROD, displacement; sst (245972)	1		107203	BALL, piston; sst; 0.5625 in. (14 mm) (245972)	1
2	243346	CYLINDER, pump (245970)	1	17*	15B075	BUSHING, rod (245970)	1
	240520	CYLINDER, pump (245971, 262648)	1		15B074	BUSHING, rod (245971, 262648)	1
	245413	CYLINDER, pump (245972)	1		15B076	BUSHING, rod (245972)	1
3*	108526	O-RING; PTFE (245970)	2	18	15J196	BUSHING, pump (245971, 262648 only)	1
	107098	O-RING; PTFE (245971, 262648)	2				
	108822	O-RING; PTFE (245972)	2	19†	193046	NUT, packing (245970)	1
4	240521	SLEEVE, cylinder; sst (245970)	1		193032	NUT, packing (245971, 262648)	1
	240525	SLEEVE, cylinder; sst (245971, 262648)	1		189589	NUT, packing (245972)	1
	240921	SLEEVE, cylinder; sst (245972)	1	20*	117447	SEAL, u-cup, throat; UHMWPE (245970)	1
5	195892	HOUSING, valve, intake (245970)	1		117446	SEAL, u-cup, throat; UHMWPE (245971, 262648)	1
	193030	HOUSING, valve, intake (245971, 262648)	1		117448	SEAL, u-cup, throat; UHMWPE (245972)	1
	198219	HOUSING, valve, intake (245972)	1	21*	117597	WASHER, felt (245970)	2
7	239932	VALVE, piston (245970)	1		117599	WASHER, felt (245971, 262648)	2
	240150	VALVE, piston (245971, 262648)	1		117600	WASHER, felt (245972)	2
	240580	VALVE, piston (245972)	1	22*	551528	RING, retaining (245970)	1
8*‡	249770	SPRING, intake ball (245972 only)	1		117718	RING, retaining (245971, 262648)	1
9	239922	SEAT, intake; carbide (245970); includes items 10 and 11	1		117719	RING, retaining (245972)	1
	244199	SEAT, intake; carbide (245971, 262648); includes items 10 and 11	1	23*	15B661	TOOL, installation, seal (245970 only); not shown; part of Repair Kit 246420	1
	240918	SEAT, intake; carbide (245972); includes items 10 and 11	1				
10*	107079	O-RING; PTFE (245970)	1				
	108526	O-RING; PTFE (245971, 262648)	1				
	107098	O-RING; PTFE (245972)	1				
11*	105445	BALL, intake; sst; 0.5 in. (13 mm) (245970)	1				
	102972	BALL, intake; sst; 0.875 in. (22 mm) (245971, 262648)	1				
	107167	BALL, intake; sst; 1 in. (25 mm) (245972)	1				
12	192624	GUIDE, ball (245970)	1				
	193027	GUIDE, ball (245971, 262648)	1				
	193391	GUIDE, ball (245972)	1				
13*	117450	SEAL, u-cup, piston; UHMWPE (245970)	1				
	117449	SEAL, u-cup, piston; UHMWPE (245971, 262648)	1				
	117448	SEAL, u-cup, piston; UHMWPE (245972)	1				
14*	15B078	BUSHING, piston (245970)	1				
	15J197	BEARING, lower (245971, 262648)	1				
	15B079	BUSHING, piston (245972)	1				
15*	156593	O-RING; BUNA-N (245970)	1				
	156633	O-RING; BUNA-N (245971, 262648)	1				
	160325	O-RING; BUNA-N (245972)	1				

* These parts are also included in the Pump Repair Kits, which may be purchased separately. Some parts in the kit may not be used in your pump. Order the correct kit for your pump from the table below.

Pump Part No.	Repair Kit
245970	246420
245971, 262648	246421
245972	246422

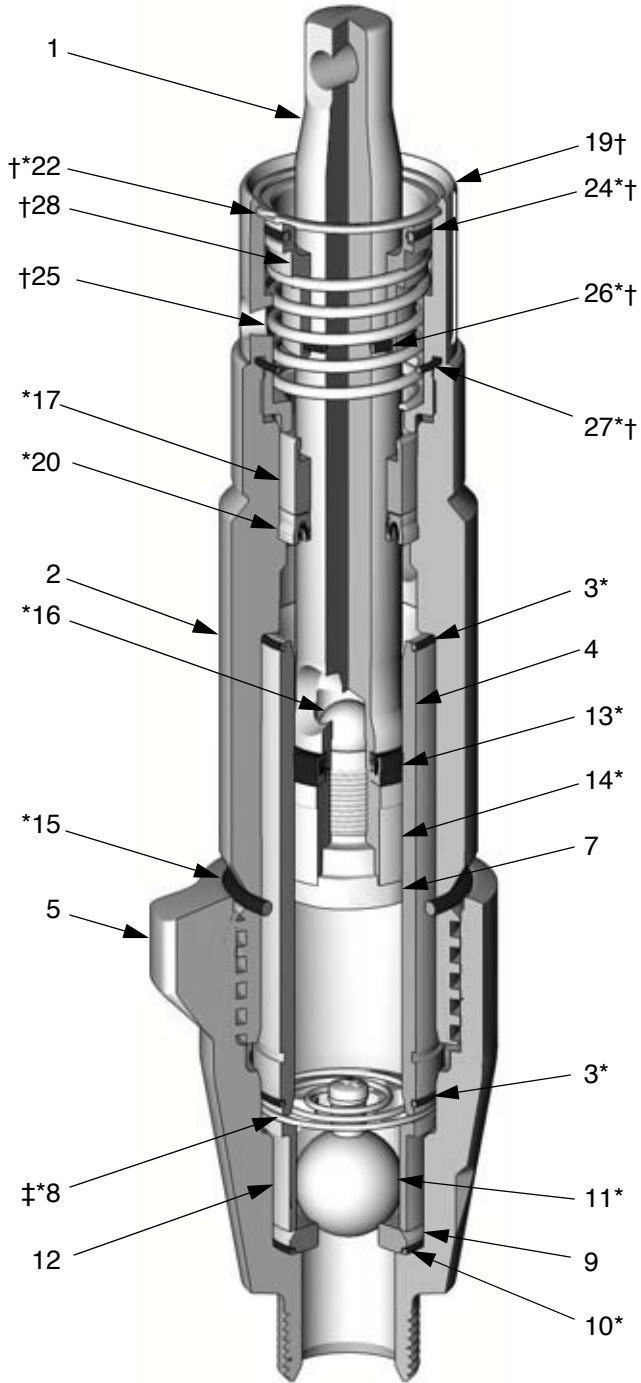
† Wet-Cup Conversion Kits may be purchased separately to convert pumps 245970, 245971, 262648, and 245972. See page 26 for further information.

‡ This part is also available in the Intake Spring Kit 249770, which may be purchased separately.

Cutaway Views

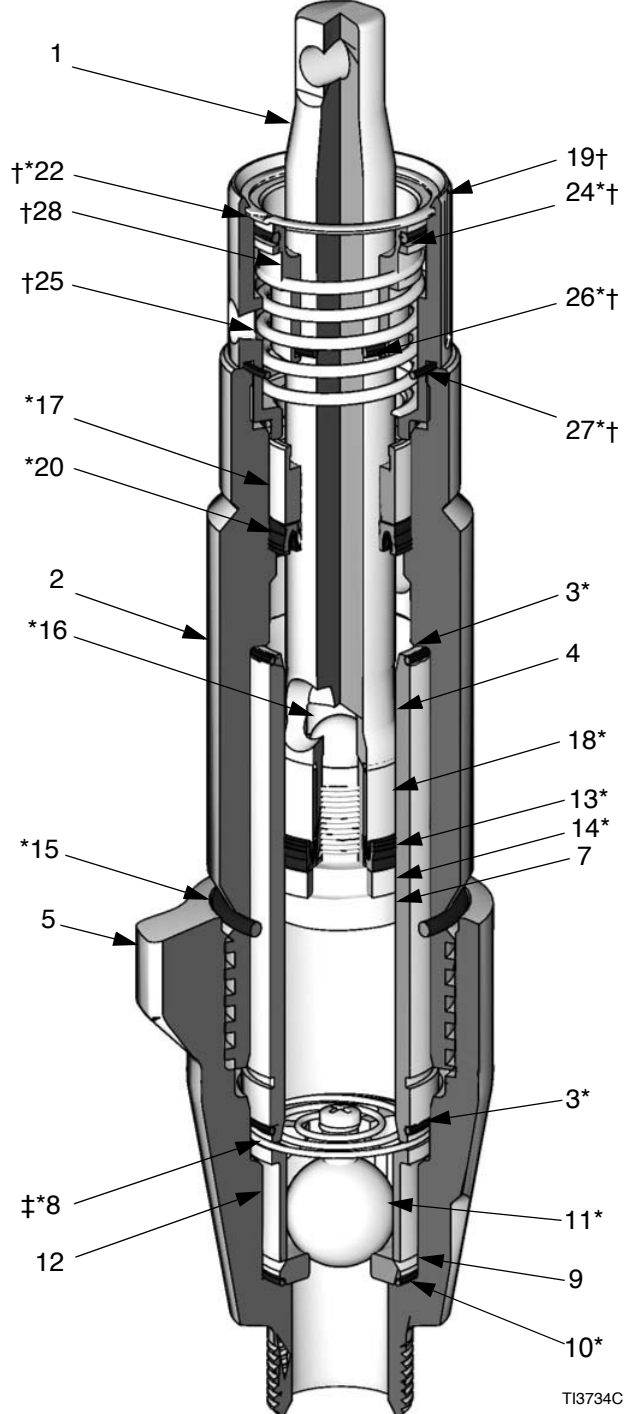
Component A (ISO) Pumps

246830
 246832



TI3734b

246831
 262647



TI3734C

Component A (ISO) Pumps

Part 246830, E-20 and E-XP1; includes items 1-7, 9-28

Part 246831, E-XP2; includes items 1-7, 9-22, 24-28

Part 262647, A-25; includes items 1-7, 9-22, 24-28

Part 246832, E-30; includes items 1-22, 24-28 (shown)

Ref.	Part	Description	Qty.	Ref.	Part	Description	Qty.
1	240518	ROD, displacement; sst (246830)	1	17*	15B075	BUSHING, rod (246830)	1
	240517	ROD, displacement; sst (246831, 262647)	1		15B074	BUSHING, rod (246831, 262647)	1
	246689	ROD, displacement; sst (246832)	1		15B076	BUSHING, rod (246832)	1
2	243346	CYLINDER, pump (246830)	1	18	15J196	BUSHING, pump (246831, 262647 only)	1
	240520	CYLINDER, pump (246831, 262647)	1	19†	15C569	NUT, packing (246830)	1
	245413	CYLINDER, pump (246832)	1		15C571	NUT, packing (246831, 262647)	1
3*	108526	O-RING; PTFE (246830)	2		15C573	NUT, packing (246832)	1
	107098	O-RING; PTFE (246831, 262647)	2	20*	117447	SEAL, u-cup, throat; UHMWPE (246830)	1
	108822	O-RING; PTFE (246832)	2		117446	SEAL, u-cup, throat; UHMWPE (246831, 262647)	1
4	240521	SLEEVE, cylinder; sst (246830)	1		117448	SEAL, u-cup, throat; UHMWPE (246832)	1
	240525	SLEEVE, cylinder; sst (246831, 262647)	1	22*†	118377	RING, retaining (246830)	1
	240921	SLEEVE, cylinder; sst (246832)	1		118378	RING, retaining (246831, 262647)	1
5	195892	HOUSING, valve, intake (246830)	1		118379	RING, retaining (246832)	1
	193030	HOUSING, valve, intake (246831, 262647)	1	23*	15B661	TOOL, installation, seal (246830 only); not shown; part of Repair Kit 246420	1
	198219	HOUSING, valve, intake (246832)	1	24*†	118381	O-RING; fluoroelastomer (246830)	1
7	239932	VALVE, piston (246830)	1		107563	O-RING; fluoroelastomer (246831, 262647)	1
	240150	VALVE, piston (246831, 262647)	1		118403	O-RING; fluoroelastomer (246832)	1
	240580	VALVE, piston (246832)	1	25†	118374	SPRING (246830)	1
8*‡	249770	SPRING, intake ball (246832 only)	1		118375	SPRING (246831, 262647)	1
9	239922	SEAT, intake; carbide (246830); includes items 10 and 11	1		118376	SPRING (246832)	1
	244199	SEAT, intake; carbide (246831, 262647); includes items 10 and 11	1	26*†	118380	O-RING; fluoroelastomer (246830)	1
	240918	SEAT, intake; carbide (246832); includes items 10 and 11	1		110955	O-RING; fluoroelastomer (246831, 262647)	1
10*	107079	O-RING; PTFE (246830)	1		C20111	O-RING; fluoroelastomer (246832)	1
	108526	O-RING; PTFE (246831, 262647)	1	27*†	107563	O-RING; fluoroelastomer (246830)	1
	107098	O-RING; PTFE (246832)	1		103414	O-RING; fluoroelastomer (246831, 262647)	1
11*	105445	BALL, intake; sst; 0.5 in. (13 mm) (246830)	1		111178	O-RING; fluoroelastomer (246832)	1
	102972	BALL, intake; sst; 0.875 in. (22 mm) (246831, 262647)	1	28†	15C570	PISTON, wet-cup, ISO (246830)	1
	107167	BALL, intake; sst; 1 in. (25 mm) (246832)	1		15C572	PISTON, wet-cup, ISO (246831, 262647)	1
12	192624	GUIDE, ball (246830)	1		15C574	PISTON, wet-cup, ISO (246832)	1
	193027	GUIDE, ball (246831, 262647)	1				
	193391	GUIDE, ball (246832)	1				
13*	117450	SEAL, u-cup, piston; UHMWPE (246830)	1				
	117449	SEAL, u-cup, piston; UHMWPE (246831, 262647)	1				
	117448	SEAL, u-cup, piston; UHMWPE (246832)	1				
14*	15B078	BUSHING, piston (246830)	1				
	15J197	BEARING, lower(246831, 262647)	1				
	15B079	BUSHING, piston (246832)	1				
15*	156593	O-RING; BUNA-N (246830)	1				
	156633	O-RING; BUNA-N (246831, 262647)	1				
	160325	O-RING; BUNA-N (246832)	1				
16*	105444	BALL, piston; sst; 0.3125 in. (8 mm) (246830)	1				
	101947	BALL, piston; sst; 0.375 in. (10 mm) (246831, 262647)	1				
	107203	BALL, piston; sst; 0.5625 in. (14 mm) (246832)	1				

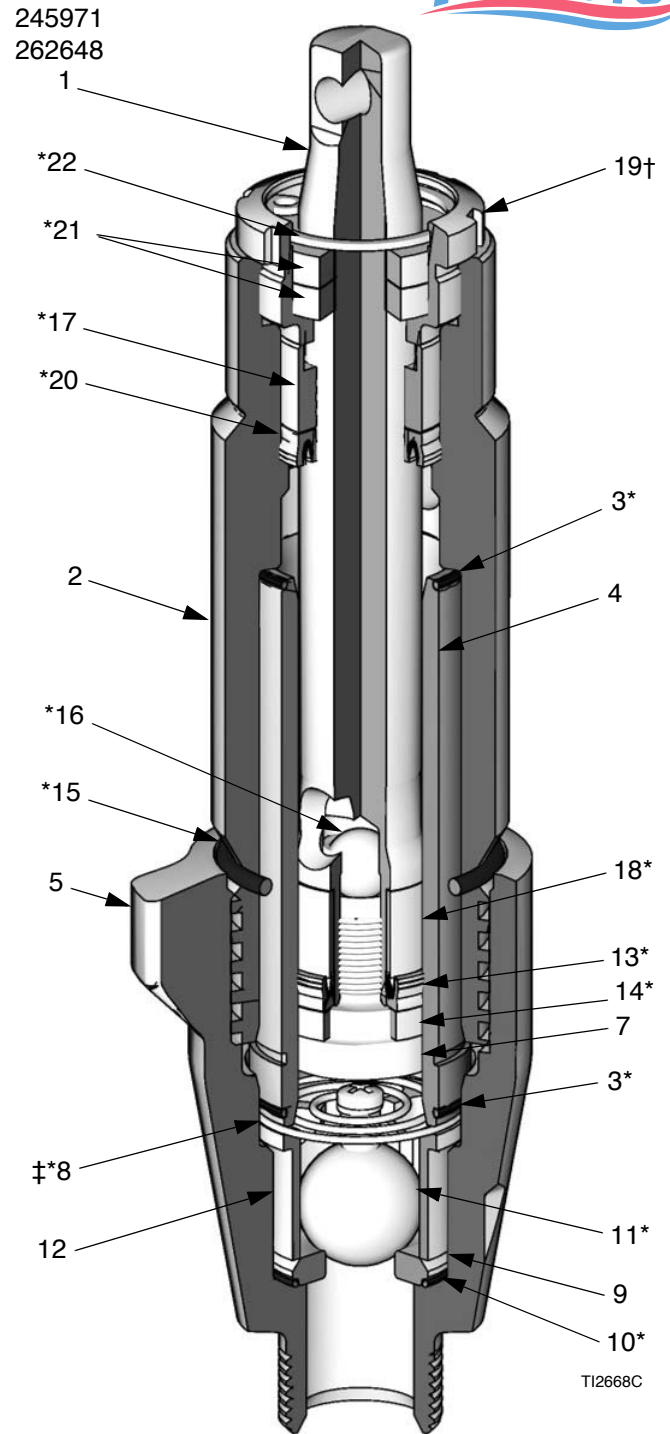
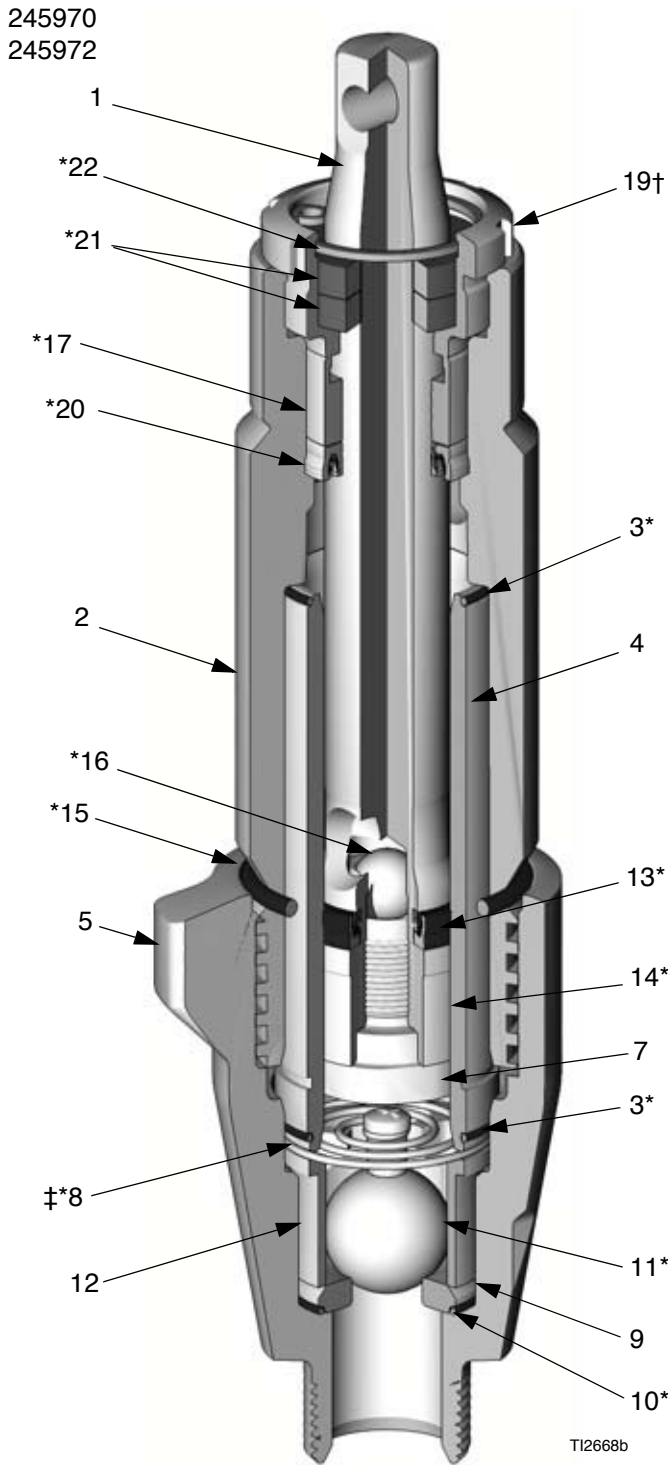
* These parts are included in the Pump Repair Kits, which may be purchased separately. Some parts in the kit may not be used in your pump.

† These parts are included in the Wet-Cup Kits. Order the correct kit for your pump from the table below. See page 26 for information on 246928 Reservoir Kit.

Pump Part No.	Pump Repair Kit	Wet-Cup Kit
246830	246420	246962
246831, 262647	15C851	246963
246832	15C852	246964

‡ This part is also available in the Intake Spring Kit 249770, which may be purchased separately.

Component B (Resin) Pump



Part 245970, E-20 and E-XP1; includes items 1-7, 9-23

Part 245971, E-XP2; includes items 1-7, 9-22

Part 262648, A-25; includes items 1-7, 9-22

Part 245972, E-30; includes items 1-22 (shown)

Ref.	Part	Description	Qty.	Ref.	Part	Description	Qty.
1	240518	ROD, displacement; sst (245970)	1	16*	105444	BALL, piston; sst; 0.3125 in. (8 mm) (245970)	1
	240517	ROD, displacement; sst (245971, 262648)	1		101947	BALL, piston; sst; 0.375 in. (10 mm) (245971, 262648)	1
	246689	ROD, displacement; sst (245972)	1		107203	BALL, piston; sst; 0.5625 in. (14 mm) (245972)	1
2	243346	CYLINDER, pump (245970)	1	17*	15B075	BUSHING, rod (245970)	1
	240520	CYLINDER, pump (245971, 262648)	1		15B074	BUSHING, rod (245971, 262648)	1
	245413	CYLINDER, pump (245972)	1		15B076	BUSHING, rod (245972)	1
3*	108526	O-RING; PTFE (245970)	2	18	15J196	BUSHING, pump (245971, 262648 only)	1
	107098	O-RING; PTFE (245971, 262648)	2		193046	NUT, packing (245970)	1
	108822	O-RING; PTFE (245972)	2	19†	193032	NUT, packing (245971, 262648)	1
4	240521	SLEEVE, cylinder; sst (245970)	1		189589	NUT, packing (245972)	1
	240525	SLEEVE, cylinder; sst (245971, 262648)	1	20*	117447	SEAL, u-cup, throat; UHMWPE (245970)	1
	240921	SLEEVE, cylinder; sst (245972)	1		117446	SEAL, u-cup, throat; UHMWPE (245971, 262648)	1
5	195892	HOUSING, valve, intake (245970)	1		117448	SEAL, u-cup, throat; UHMWPE (245972)	1
	193030	HOUSING, valve, intake (245971, 262648)	1	21*	117597	WASHER, felt (245970)	2
	198219	HOUSING, valve, intake (245972)	1		117599	WASHER, felt (245971, 262648)	2
7	239932	VALVE, piston (245970)	1		117600	WASHER, felt (245972)	2
	240150	VALVE, piston (245971, 262648)	1	22*	551528	RING, retaining (245970)	1
	240580	VALVE, piston (245972)	1		117718	RING, retaining (245971, 262648)	1
8*‡	249770	SPRING, intake ball (245972 only)	1		117719	RING, retaining (245972)	1
9	239922	SEAT, intake; carbide (245970); includes items 10 and 11	1	23*	15B661	TOOL, installation, seal (245970 only); not shown; part of Repair Kit 246420	1
	244199	SEAT, intake; carbide (245971, 262648); includes items 10 and 11	1				
	240918	SEAT, intake; carbide (245972); includes items 10 and 11	1				
10*	107079	O-RING; PTFE (245970)	1				
	108526	O-RING; PTFE (245971, 262648)	1				
	107098	O-RING; PTFE (245972)	1				
11*	105445	BALL, intake; sst; 0.5 in. (13 mm) (245970)	1				
	102972	BALL, intake; sst; 0.875 in. (22 mm) (245971, 262648)	1				
	107167	BALL, intake; sst; 1 in. (25 mm) (245972)	1				
12	192624	GUIDE, ball (245970)	1				
	193027	GUIDE, ball (245971, 262648)	1				
	193391	GUIDE, ball (245972)	1				
13*	117450	SEAL, u-cup, piston; UHMWPE (245970)	1				
	117449	SEAL, u-cup, piston; UHMWPE (245971, 262648)	1				
	117448	SEAL, u-cup, piston; UHMWPE (245972)	1				
14*	15B078	BUSHING, piston (245970)	1				
	15J197	BEARING, lower (245971, 262648)	1				
	15B079	BUSHING, piston (245972)	1				
15*	156593	O-RING; BUNA-N (245970)	1				
	156633	O-RING; BUNA-N (245971, 262648)	1				
	160325	O-RING; BUNA-N (245972)	1				

* These parts are also included in the Pump Repair Kits, which may be purchased separately. Some parts in the kit may not be used in your pump. Order the correct kit for your pump from the table below.

Pump Part No.	Repair Kit
245970	246420
245971, 262648	246421
245972	246422

† Wet-Cup Conversion Kits may be purchased separately to convert pumps 245970, 245971, 262648, and 245972. See page 26 for further information.

‡ This part is also available in the Intake Spring Kit 249770, which may be purchased separately.